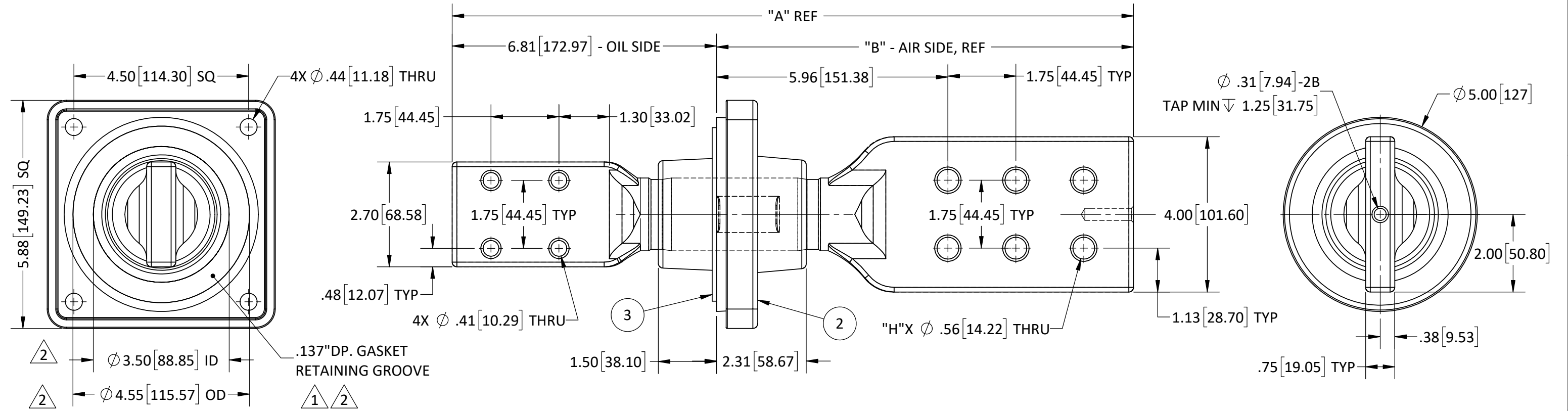
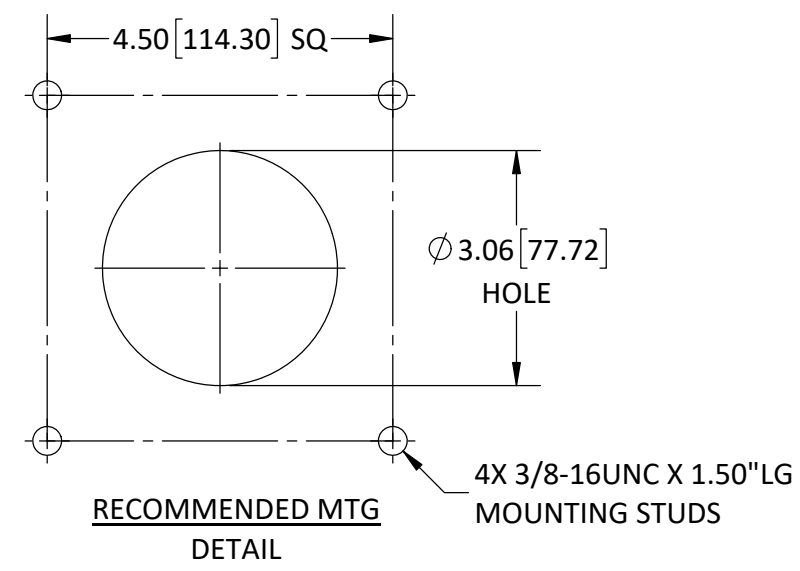
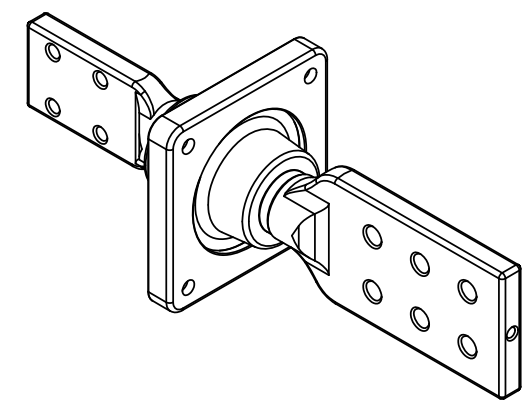


REVISIONS					
REV.	DATE	ECN #	DESCRIPTION	BY	APP'D
1	10/31/2019	HJ19-182	CORRECTED 12H DIM -A-, WAS 20.80-TO-22.80. ADDED GASKET GROOVE DEPTH CALLOUT	TJF	LO
2	8/17/2021	HJ20-224	GASKET GROOVE WAS 3/16" DP, Ø3.75" ID, Ø4.50" OD	MAD	CLS

- NOTES:**
- ALL UNSPECIFIED RADII TO BE R0.188
 - ALL CONTACT SURFACES TO BE CLEAN & FREE FROM FLASH
 - RATINGS BASED ON SIDE MOUNTED BUSHINGS WITH OIL IMMERSED SHANK AND SUITABLE TERMINATION AND LEAD CONNECTIONS

- MATERIAL:**
- E04 - INDOOR EPOXY SYSTEM, GREY
 - IN-LINE SPADE - COPPER - TIN PLATED
 - ALUMINUM CLAMP

- SPECIFICATIONS:**
- BASIC IMPULSE LEVEL45KV BIL
 - CONTINUOUS CURRENT RATING, ALUM.....4300 AMPS
 - TEMPERATURE RANGE.....-40 °C TO 120 °C
 - APPROXIMATE WEIGHTSEE TABLE

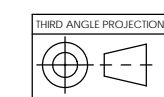


EPC PART #	DIM "A"	DIM "B"	"H"	WGHT
EPC10-513-901-E01T-10	17.55	10.74	6	16.93
EPC10-513-904-E01T-10	22.80	15.99	12	21.59
EPC10-513-906-E01T-10	26.30	19.49	16	24.71

PROPRIETARY AND CONFIDENTIAL

THE INFORMATION CONTAINED IN THIS DRAWING IS THE SOLE PROPERTY OF H-J INTERNATIONAL, INC. ANY REPRODUCTION IN PART OR AS A WHOLE WITHOUT THE WRITTEN PERMISSION OF H-J INTERNATIONAL, INC. IS STRICTLY PROHIBITED.

BREAK ALL SHARPS UNLESS OTHERWISE NOTED



TOLERANCES (EXCEPT AS NOTED)

TWO PLACE ±.060[1.52]

THREE PLACE ±.030[0.76]

FRACTIONS ± 1/16"

ANGLES ±2°



APPROVED BY	DATE
CHECKED BY	DATE
DRAWN BY TJF	DATE 4/12/2019
TOOL NO.	10-504-1
PRODUCT GRP.	-

H-J INTERNATIONAL, INC.
 3010 HIGH RIDGE BLVD, HIGH RIDGE, MO. 63049 USA
 PHONE 1-636-677-3421 FAX 1-636-376-1915

2.5kV / 4300A
 LV BUSHING
 (COPPER CONDUCTOR)

DRAWING NO. 10-513-901-10

SCALE NTS SIZE B REV. 2 SHEET 1 OF 1